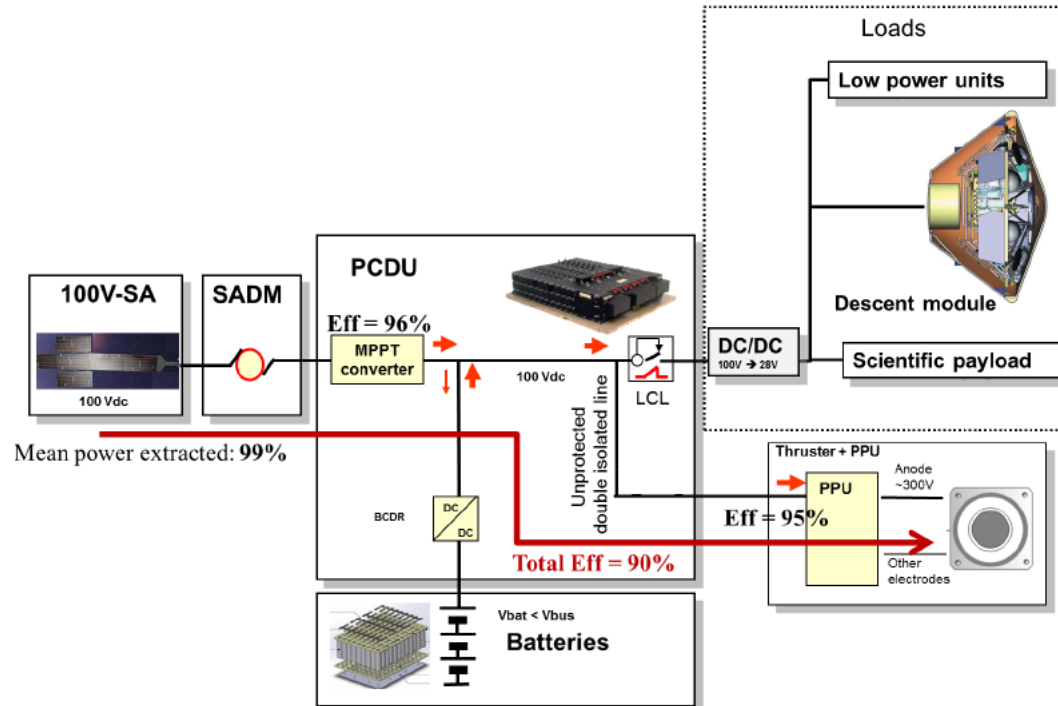
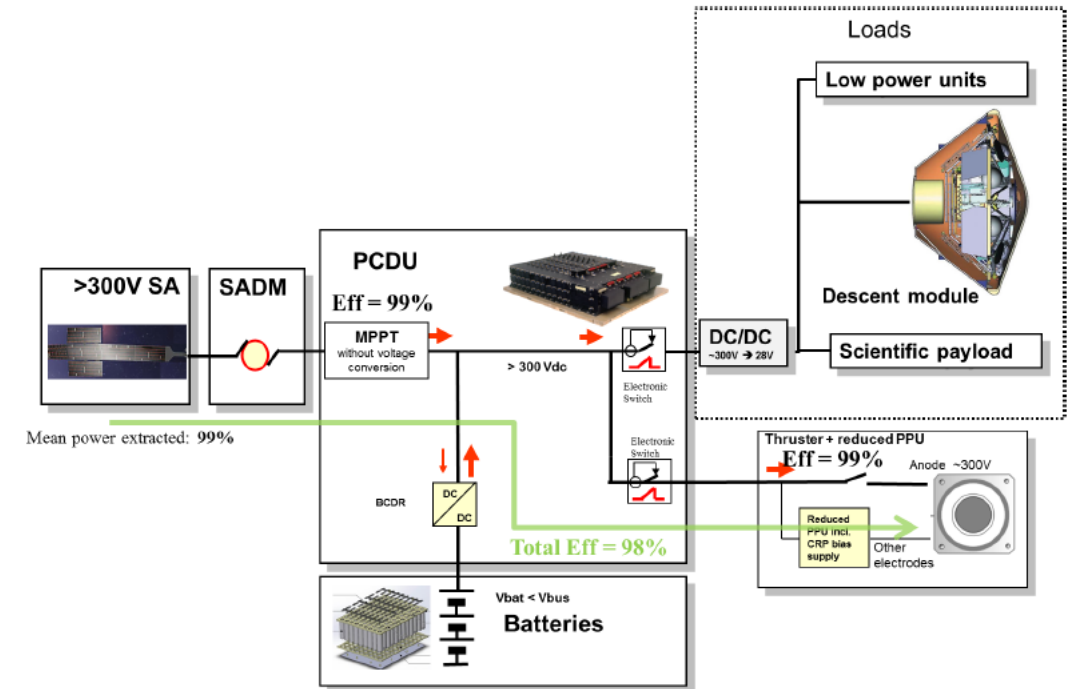


STANDARD ELECTRICAL ARCHITECTURE



DIRECT-DRIVE ARCHITECTURE



Performances	Standard architecture	Direct-drive architecture
Power extracted from Solar Array	90%	100%
PPU efficiency	95%	>99%
Thermal losses	10%	<2%
PPU Mass saving	/	-50%